

EUROFAST[®]
“Fixed quality”

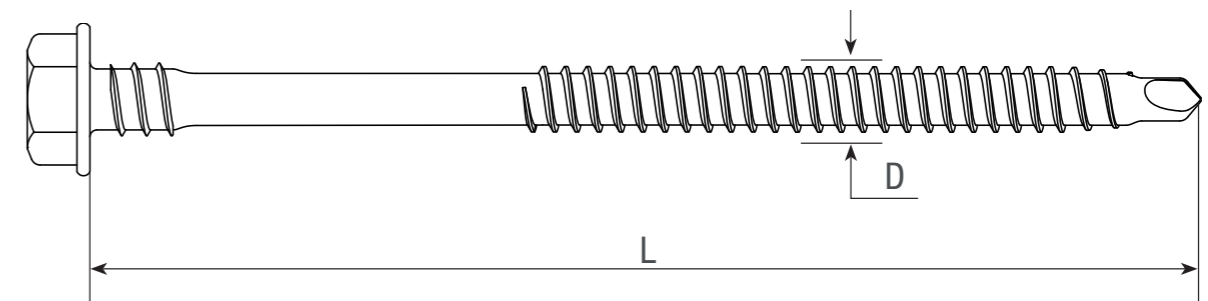
Product key designation

FM	FM approved FM approved products
	Product group name
ERSS	Eurofast Roofing Steel Screw
ERWS	Eurofast Roofing Wood Screw
ERCS	Eurofast Roofing Concrete Screw
ERAS	Eurofast Roofing Aerated concrete Screw
	Screw diameter working main thread (D)
48	Thread diameter 4.8mm
50	Thread diameter 5.0mm
58	Thread diameter 5.8mm
60	Thread diameter 6.0mm
63	Thread diameter 6.3mm
65	Thread diameter 6.5mm
67	Thread diameter 6.7mm
80	Thread diameter 8.0mm
	Screw length (L) Length based on total length measured until head
	Drilling capacity
0	For steel screws drilling capacity till 0.88mm; all concrete, wood and aerated concrete screws
2	Drilling capacity 2x1.00mm/2x1.25mm
3	Drilling capacity 2x1.50mm
	Head type
HWH	Hex Washer Head
FH	Flange Head
T25	Raised bugle head with T25 recess
PH2	Bugle head with PH2 recess
PH3	Bugle head with PH3 recess

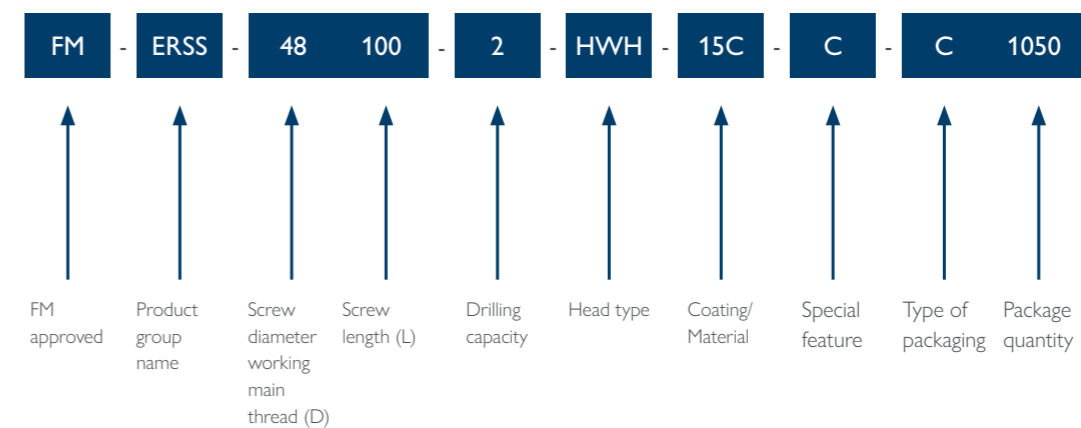
M	Coating/Material Magni coating 15 Kesternich cycles (if FM approved)
B	Bi metal
S	Stainless steel
15C	Eurofast Coat 15C with 15 Kesternich cycles resistance
30C	Eurofast Coat 30C with 30 Kesternich cycles resistance
	Special feature
C	Collated screw
	Type of packaging
B	Bucket
C	Carton box
	Package quantity Quantity of products in package

How to read product key - Roofing Screws

Top view - not to scale



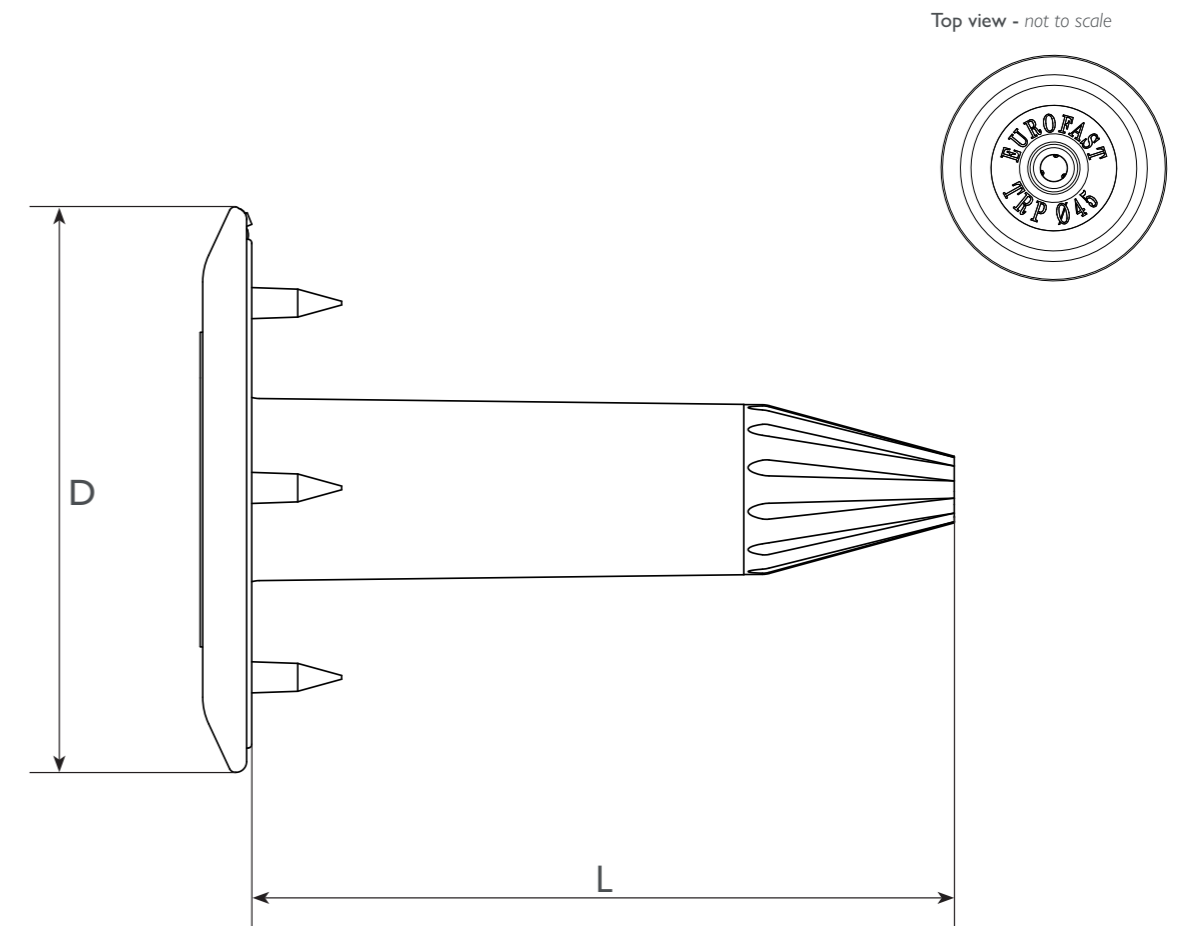
FM-ERSS-48100-2-HWH-15C-C-C1050



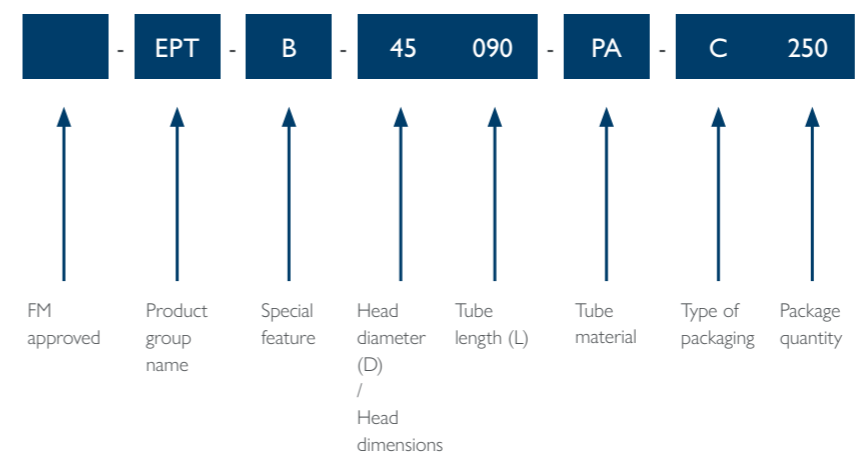
Product key designation

	FM approved
FM	FM approved products
	Product group name
EPT	Eurofast Pressure plate Tube
ECT	Eurofast Concrete Tube
	Special feature
S	Stainless steel product/part of the product
B	Barbed tube
O	Oversized hole in the tube nozzle
	Head diameter/ Head dimensions
15	Round head diameter 15mm
45	Round head diameter 45mm
50	Round head diameter 50mm
75	Round head diameter 75mm
8040	Oval head dimensions length/width 80x40mm
8240.15	EPT-15 assembled with EPM-T-8240N-13.6-1.0
IT-80.15	EPT-15 assembled with EPM induction plates for TPO
IP-80.15	EPT-15 assembled with EPM induction plates for PVC
IE-80.15	EPT-15 assembled with EPM induction plates for EPDM
	Tube length (L)
	Length based on total length measured until head or if there is more lengths "xLL"
	Tube material
PP	POLYPROPYLENE
PA	POLYAMIDE PA6
	Type of packaging
C	Carton box
	Package quantity
	Quantity of products in package

How to read product key - Pressure Plate Tube



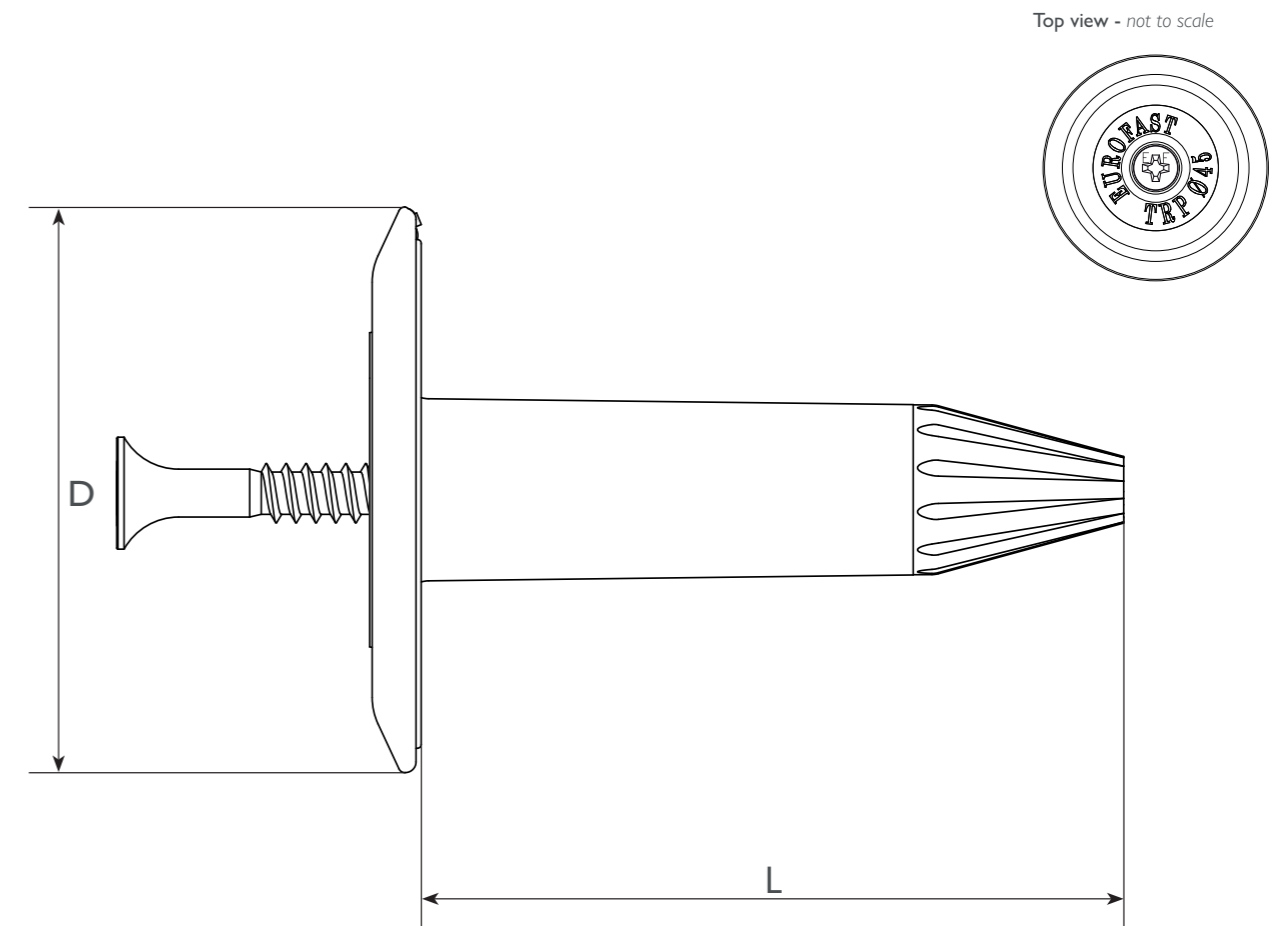
EPT-B-45090-PA-C250



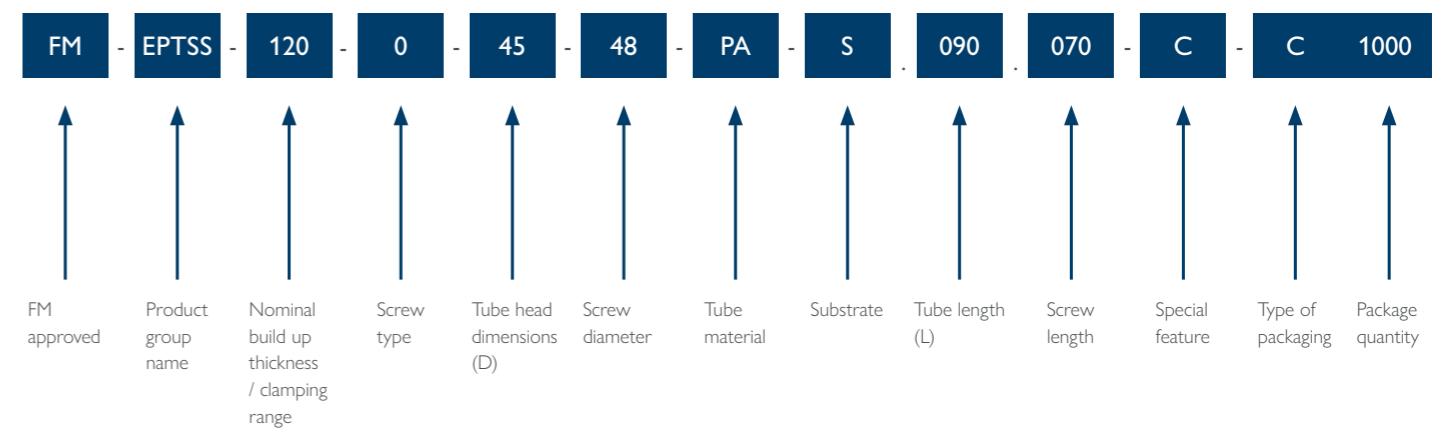
Product key designation

	FM approved		
FM	FM approved products	45	Round tube head diameter 45mm
		45B	Round barbed tube head diameter 45mm
		75	Round tube head diameter 75mm
		8040	Oval tube head dimensions length/width 80x40mm
	Product group name	8240.15	EPT-15 assembled with EPM-T-8240N-13.6-1.0
EPTSS	Eurofast Pressure plate Tube assembled with Steel Screw	IT-80.15	EPT-15 assembled with EPM induction plates for TPO
EPTWS	Eurofast Pressure plate Tube assembled with Wood Screw	IP-80.15	EPT-15 assembled with EPM induction plates for PVC
EPTAS	Eurofast Pressure plate Tube assembled with Aerated concrete Screw	IE-80.15	EPT-15 assembled with EPM induction plates for EPDM
EPTCS	Eurofast Pressure plate Tube assembled with Concrete Screw		
	Nominal build up thickness / Clamping range		
xxx	Clamping range for pre-assembled combinations		
xxx-yyy-EAS	xxx-yyy - min/max clamping range for pre-assembled combinations with EAS-65xLL (ERCS-65xLL-0-T25-15C-EAS) screws	48	Screw diameter 4.80mm
		55	Screw diameter 5.50mm
		67	Screw diameter 6.70mm
	Screw type		
0	Tube assembled with ERSS - drilling capacity till 0.88mm	PP	POLYPROPYLENE
	Tube assembled with ERWS - no drilling capacity	PA	POLYAMIDE PA6
	Tube assembled with ERAS - no drilling capacity	S	Assembly valid for steel deck
	Tube assembled with ERCS EAS - no drilling capacity	W	Assembly valid for wood deck
	Tube assembled with ERCS - no drilling capacity	C	Assembly valid for concrete deck
		A	Assembly valid for aerated concrete deck
OS	Tube assembled with ERAS stainless steel		
OHL	Tube assembled with ERCS with high-low thread		
2	Tube assembled with ERSS with drilling capacity 2x1.25		
2B	Tube assembled with ERSS bi-metal steel with drilling capacity 2x1.25		
		C	Collated assemblings on the belt
		C	Carton box
			Package quantity Quantity of products in package

How to read product key - Pressure Plate Tubes assemblies



FM-EPTSS-120-0-45-48-PA-S.090.070-C-C1000

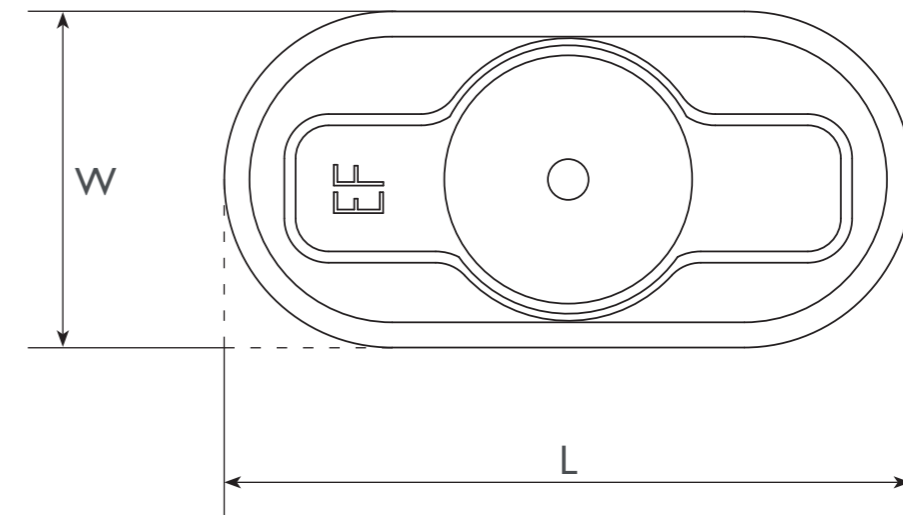
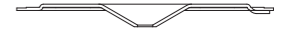


Product key designation

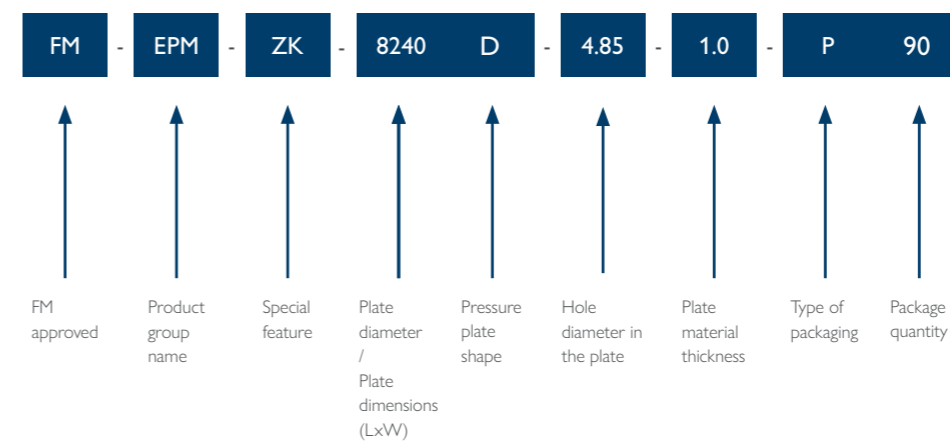
FM	FM approved FM approved products	4.85	Hole diameter in the plate Hole diameter 4.85mm
		4.9	Hole diameter 4.90mm
		5.0	Hole diameter 5.00mm
EPM	Product group name Eurofast Pressure plate Metal	5.1	Hole diameter 5.10mm
		5.4	Hole diameter 5.40mm
		5.85	Hole diameter 5.85mm
		6.0	Hole diameter 6.00mm
IT	Special feature Plate for induction - TPO welding	6.3	Hole diameter 6.30mm
IP	Plate for induction - PVC welding	6.5	Hole diameter 6.50mm
IE	Plate for induction - EPDM welding	6.7	Hole diameter 6.70mm
IC	Plate for induction - calibration	6.8	Hole diameter 6.80mm
T	Plate for EPT-15 tube (KMT)	7.0	Hole diameter 7.00mm
B	Barbed plate metal	9.0	Hole diameter 9.00mm
ZK	Reinforced plate (Zeskant Kariert)	12	Hole diameter 12.00mm
N3	Plate with star shape hole	13.6	Hole diameter 13.60mm
EDL	Plate for EDL screws	20	Hole diameter 20.00mm
ECT	Plate for ECT tube (ISPC)		
	Plate diameter / Plate dimensions (LxW)		
40	Round plate diameter 40mm		
50	Round plate diameter 50mm	0.5	Plate material thickness Plate thickness 0.50mm
51	Round plate diameter 51mm	0.7	Plate thickness 0.70mm
70	Round plate diameter 70mm	0.8	Plate thickness 0.80mm
80	Round plate diameter 80mm	0.84	Plate thickness 0.84mm
8040	Oval plate dimensions length/width 80x40mm	1.0	Plate thickness 1.00mm
8240	Oval plate dimensions length/width 82x40mm		
	Pressure plate shape	S	Type of packaging Sack
N	NORMAL	C	Carton box
D	DEEP		
F	FLAT		
XH	EXTRA HIGH		
			Package quantity Quantity of products in package

How to read product key - Pressure Plate Metal

Side view - not to scale



FM-EPM-ZK-8240D-4.85-1.0-P90

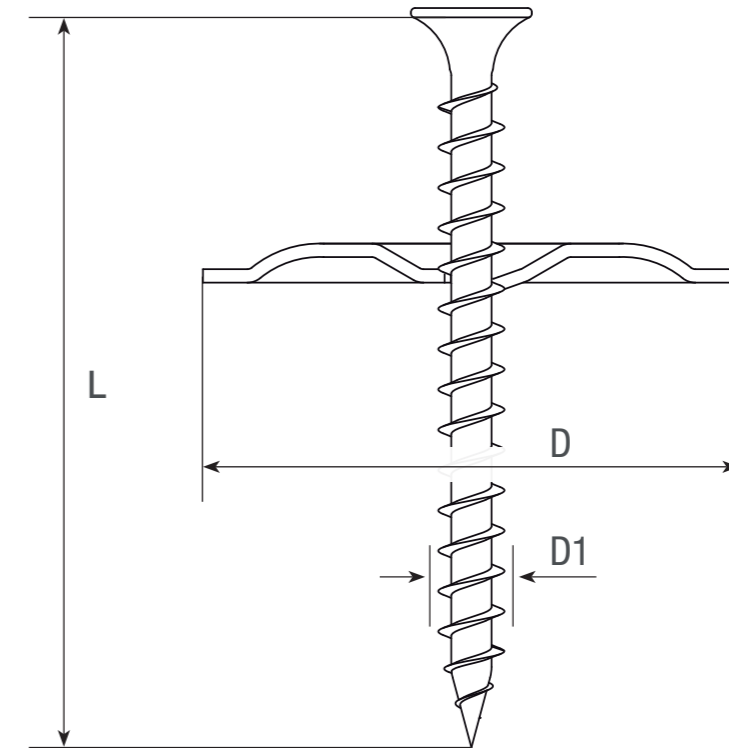
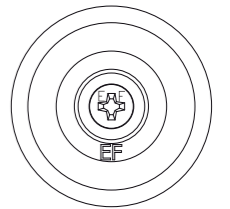


Product key designation

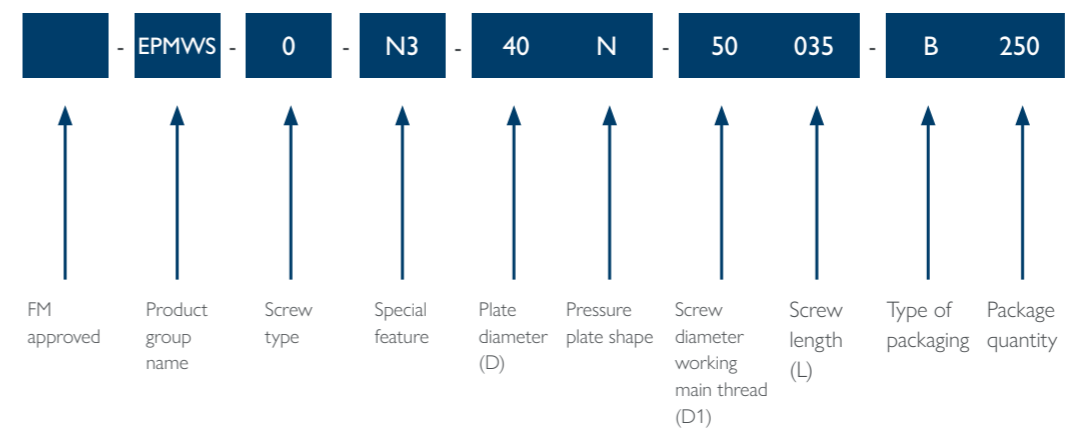
FM approved	
FM	FM approved products
Product group name	
EPMSS	Eurofast Pressure plate Metal assembled with Steel Screw
EPMWS	Eurofast Pressure plate Metal assembled with Wood Screw
Screw type	
0	Metal plates assembled with ERVS - no drilling capacity
2	Metal plates assembled with ERSS with drilling capacity 2x1.25
Special feature	
N3	Plate with star shape hole
Plate diameter (D)	
40	Round plate diameter 40mm
51	Round plate diameter 51mm
70	Round plate diameter 70mm
Pressure plate shape	
N	NORMAL
Screw diameter working main thread (D1)	
50	Thread diameter 5.00mm
67	Thread diameter 6.70mm
Screw length (L)	
	Length based on total length measured until head or if there is more lengths "xLL"
Type of packaging	
B	Bucket
C	Carton box
Package quantity	
	Quantity of products in package

How to read product key - Pressure Plate Metal assemblies

Top view - not to scale



EPMWS-0-N3-40N-50035-B250

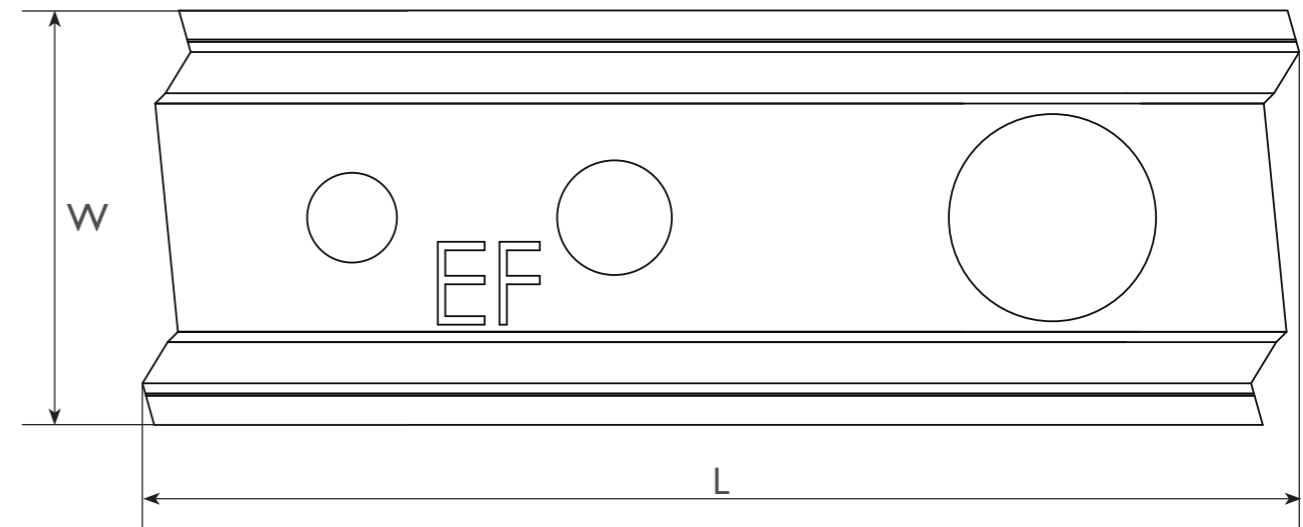


Product key designation

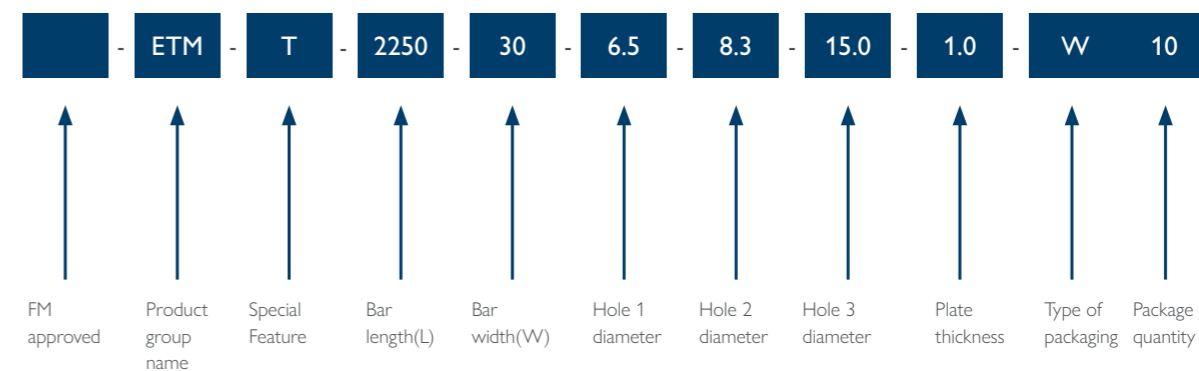
	FM approved
FM	FM approved products
	Product group name
ETM	Eurofast Termination bar Metal
	Special feature
T	Termination bar for EPT-15 tube (KMT)
B	Barbed termination bar
	Bar length
2250	Bar length 2250mm
	Bar width
30	Bar width 30mm
	Hole 1 diameter in the bar
4.8	Hole diameter 4.80mm
6.5	Hole diameter 6.50mm
8.3	Hole diameter 8.30mm
8.5	Hole diameter 8.50mm
15.0	Hole diameter 15.00mm
	Hole 2 diameter in the bar
4.8	Hole diameter 4.80mm
6.5	Hole diameter 6.50mm
8.3	Hole diameter 8.30mm
8.5	Hole diameter 8.50mm
15.0	Hole diameter 15.00mm
	Hole 3 diameter in the bar
4.8	Hole diameter 4.80mm
6.5	Hole diameter 6.50mm
8.3	Hole diameter 8.30mm
8.5	Hole diameter 8.50mm
15.0	Hole diameter 15.00mm
	Plate thickness
1.0	Plate thickness 1.00mm
	Type of packaging
W	Wrapped
	Package quantity
	Quantity of products in package

How to read product key - Termination Bars Metal

Side view - not to scale



ETM-T-2250-30-6.5-8.3-15.0-1.0-W10

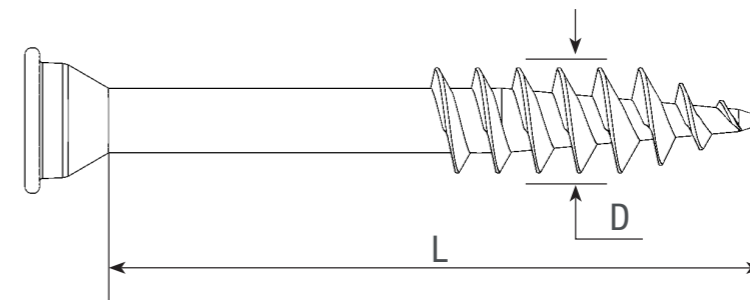
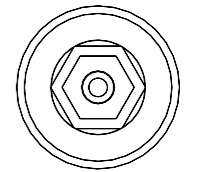


Product key designation

FM	FM approved FM approved products
EDL	Product group name Eurofast DL screw
18	Screw diameter working main thread Thread diameter 18mm
	Tube length Length based on total length measured untill head or if there is more lengths "xLL"
PA	Tube material POLYAMIDE PA6
C	Type of packaging Carton box
	Package quantity Quantity of products in package

How to read product key - EDL Screws

Top view - not to scale



EDL-18102-PA-C100

